

TECNA®



Uranusz
Szerszám Kereskedőház Kft.

1103 Budapest, Noszlopy u. 16/b.

info@uranusz.hu

www.uranusz.hu

T: +36 1 260 30 30 Fax: +36 1 260 60 83



CAPACITY 0,2 ÷ 180 kg

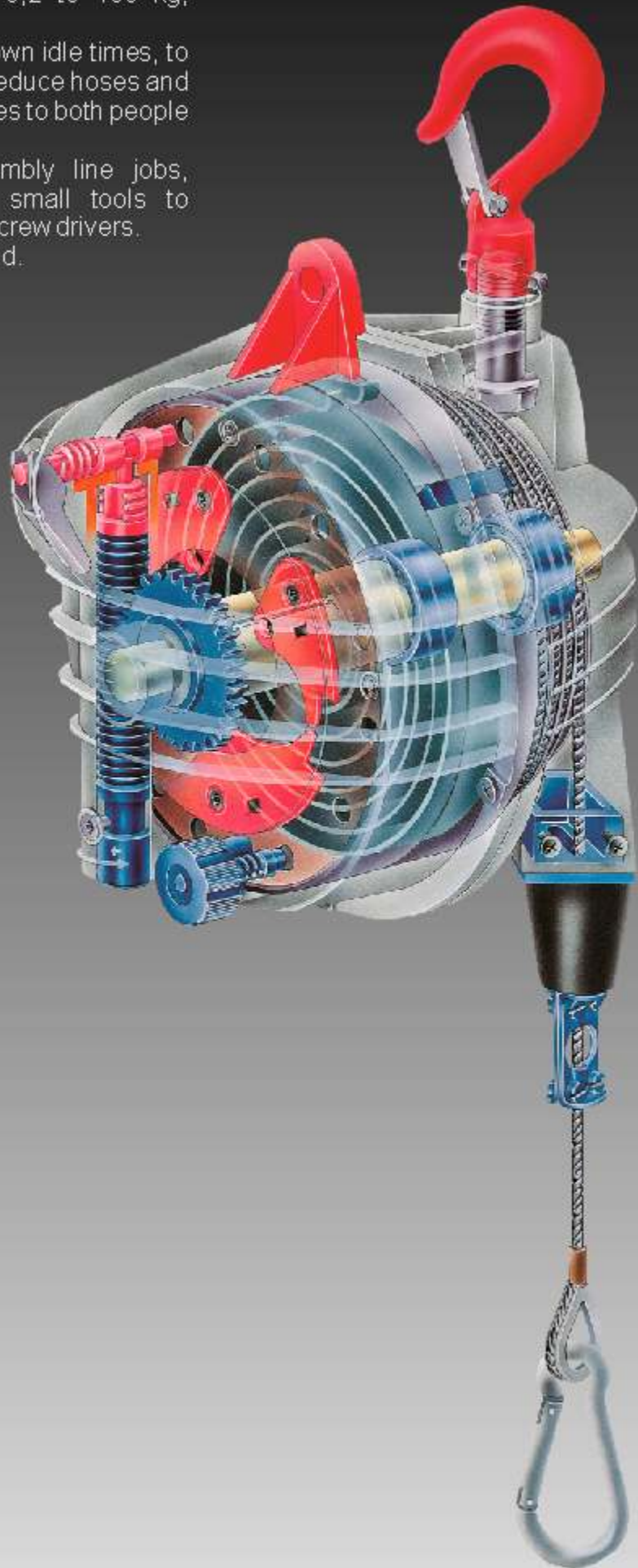
GENERAL CATALOGUE

BALANCERS

TECNA s.p.a. Produces a complete range of balancers; capacities from 0,2 to 180 kg, available stroke up to 3 m.

To eliminate labour, to cut down idle times, to improve the work quality, to reduce hoses and cables wear, to avoid damages to both people and tools.

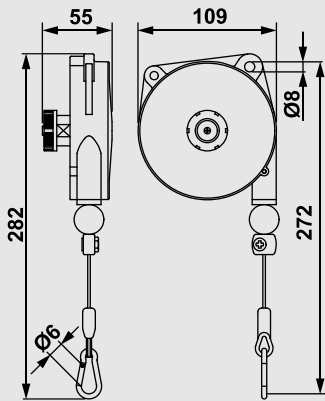
For either bench or assembly line jobs, applications ranging from small tools to industrial guns and multiple screw drivers. Special executions on demand.



9300 ÷ 9303



1
1600 mm
0.2÷3 kg

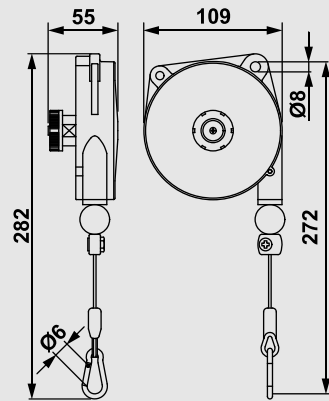


	9300	93001	9301	9302	9303
Capacity	0,2÷0,5	0,2÷0,5	0,4÷1	1÷2	2÷3
Weight	0,4	0,5	0,5	0,6	0,7
Stroke	1600 mm				
Cable	Nylon	Inox			
Body	Nylon				

9311 ÷ 9313

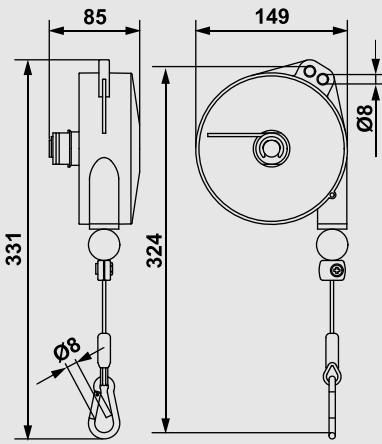


2
1600 mm
0.4÷3 kg



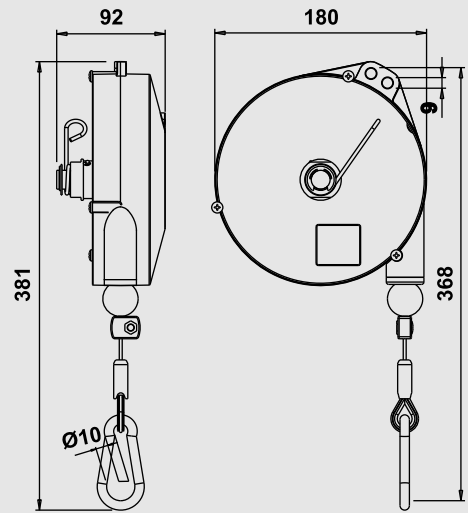
	9311	9312	9313
Capacity	0,4÷1	1÷2	2÷3
Weight	0,6	0,6	0,7
Stroke	1600 mm		
Cable	Inox		
Body	Aluminium		

9320 ÷ 9323



	9320	9321	9322	9323
Capacity	1÷2,5	2÷4	4÷6	6÷8
Weight	2	2	2,3	2,5
Stroke	2000 mm			
Cable	Inox			
Body	Aluminium			

9336 ÷ 9340

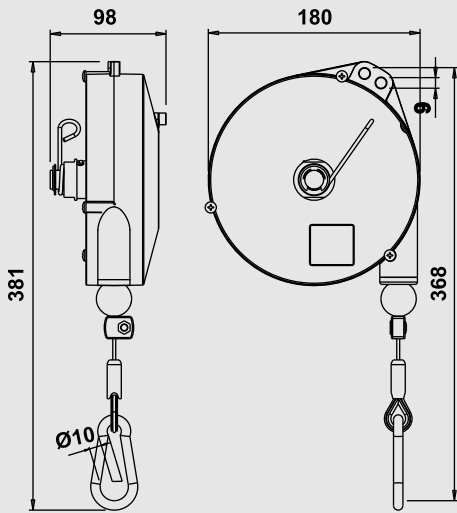


	9336	9337	9338	9339	9340
Capacity	2÷4	4÷6	6÷8	8÷10	10÷14
Weight	2,9	3,2	3,5	3,7	4
Stroke	2500 mm				
Cable	Inox				
Body	Aluminium				

9346 ÷ 9350



In addition to the features of the former range, the new balancers are equipped with a new device enabling to stop the stroke by carrying out a simple operation on the load.



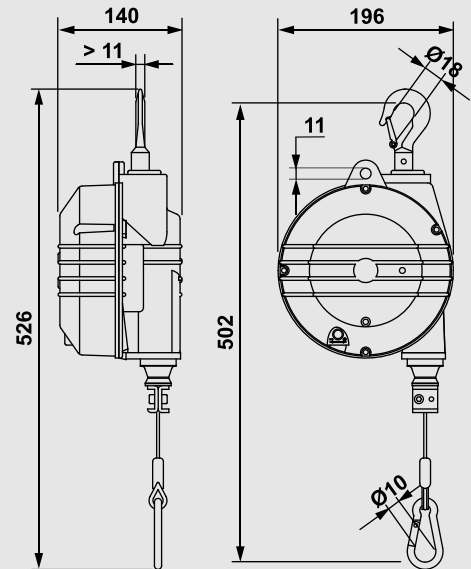
	9346	9347	9348	9349	9350
Capacity	2÷4	4÷6	6÷8	8÷10	10÷14
Weight	3	3,3	3,6	3,8	4
Stroke	2500 mm				
Cable	Inox				
Body	Aluminium				

9354 ÷ 9359



Option F Brake device

The balancer is equipped with a friction/brake which controls the rotation speed of the drum. This option is feasible when placing a new order while it is not possible to assemble this device on balancers already installed.



	9354	9355	9356	9357	9358	9359
Capacity	4÷7	7÷10	10÷14	14÷18	18÷22	22÷25
Weight	5	5,5	5,5	6,5	6	6,6
Stroke	2000 mm					
Cable	Inox					
Body	Aluminium					

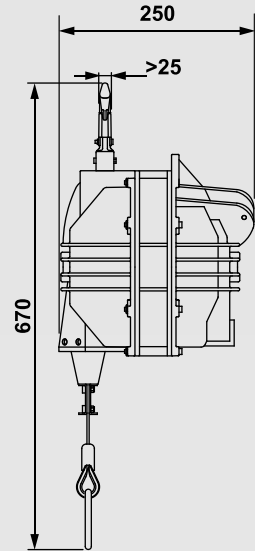
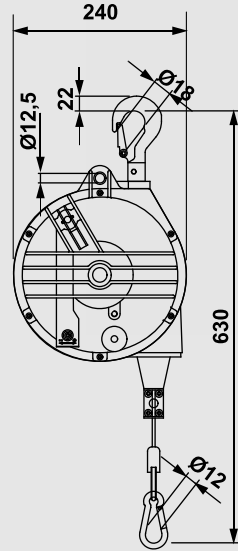
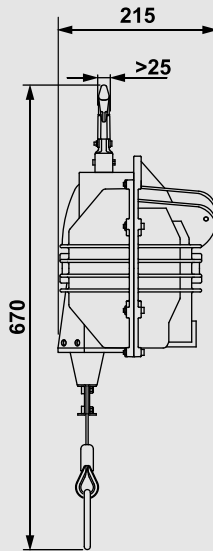
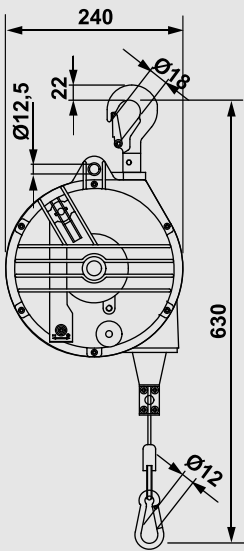
9361 ÷ 9369

7
2000 mm
10÷75 kg



9370 ÷ 9371

8
2000 mm
75÷105 kg



	9361	9362	9363	9364	9365	9366	9367	9368	9369	9370	9371
Capacity	10÷15	15÷20	20÷25	25÷30	30÷35	35÷45	45÷55	55÷65	65÷75	75÷90	90÷105
Weight	10,3	10,6	11,2	11,5	11,8	12,4	12,5	13,6	14,5	17,3	18
Stroke	2000 mm									2000 mm	
Cable	Inox									Inox	
Body	Aluminium									Aluminium	

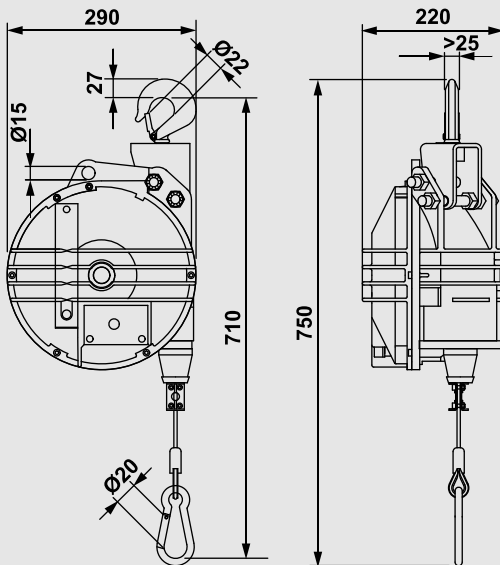
9401 ÷ 9405 9431 ÷ 9433

9
2500 mm
3000 mm
15÷60
kg



OPTION B
Locking-unlocking device
with control from the floor.

OPTION RI
Rotary and insulating device.



OPTION B

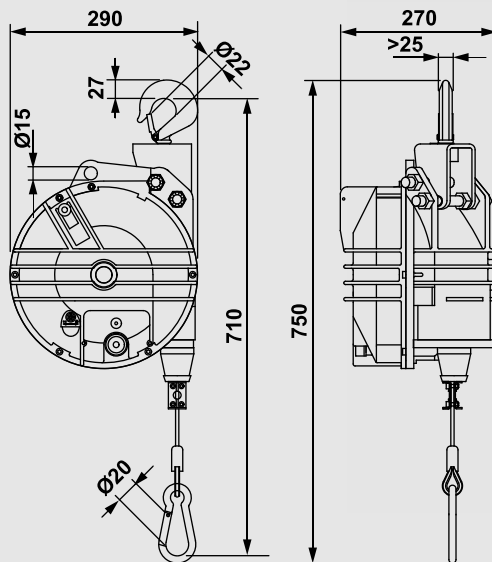
OPTION RI

	9401	9402	9403	9404	9405	9431	9432	9433
Capacity	15÷20	20÷30	30÷40	40÷50	50÷60	15÷20	20÷25	25÷35
Weight	19	19,8	20,8	23,9	25,4	19,1	19,9	20,9
Stroke	2500 mm					3000 mm		
Cable	Inox							
Body	Aluminium							

9411 ÷ 9414

9434 ÷ 9444

10
 2500 mm
 3000 mm
 60÷100
 kg



	9411	9412	9413	9414	9434	9435	9436	9441	9442	9443	9444	
Capacity	60÷70	70÷80	80÷90	90÷100	35÷45	40÷50	50÷60	60÷70	70÷80	80÷90	80÷100	
Weight	26,8	27,8	28,8	30	23,8	23,9	25,3	27	28	29	29	
Stroke	2500 mm				3000 mm							
Cable	Inox											
Body	Aluminium											

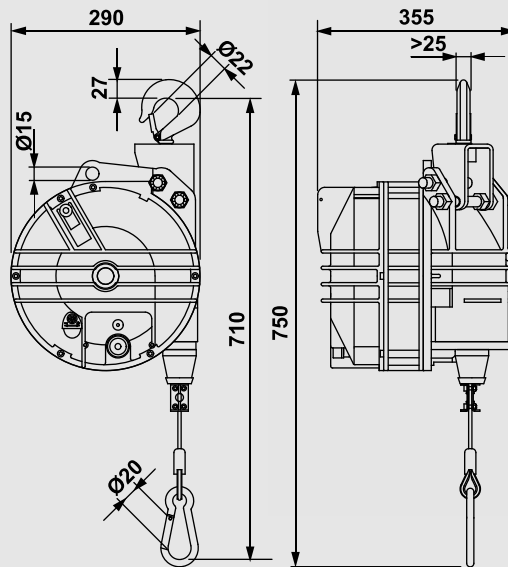
9422 ÷ 9426

9451 ÷ 9456

11

2500 mm
3000 mm

100÷180
kg



	9422	9423	9424	9425	9426	9451	9452	9453	9454	9455	9456
Capacity	100÷120	120÷140	130÷150	140÷160	160÷180	100÷115	115÷130	130÷140	140÷150	150÷160	160÷180
Weight	38,7	41,87	44,5	48	49	39,7	39,9	42,8	45,6	49	50
Stroke	2500 mm					3000 mm					
Cable	Inox										
Body	Aluminium										

9200 ÷ 9203

HOSE BALANCERS

Fitting out rational work stages.
Applications: Screw drivers -Drills -Shearing machines -Tools for electronics -Air guns.

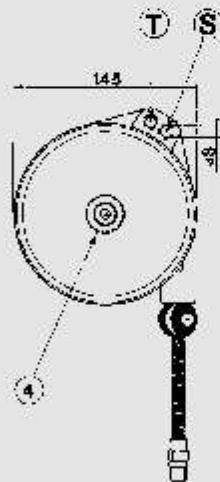
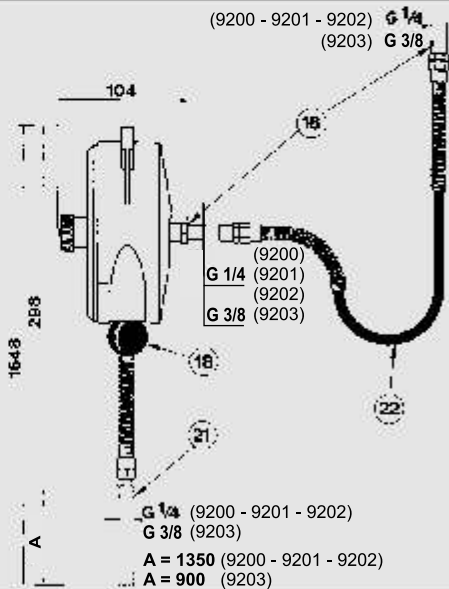
Maximum ease of use.
Minimum overall dimensions as the tool is supported by the hose.
Polyurethane hose.
Rugged construction, cast aluminium body.
Adjustable capacity.
Springs properly sized to ensure long life and smooth running.
Adjustable stroke limiting device.
Auxiliary safety suspension.

12
900 mm
1350 mm
0,4÷5 kg



Max operating pressure:
8 bar

Max operating temperature:
50°



- T - Suspension.
- S - Safety.
- 4 - Capacity adjustment.
- 16- Air input 1/4 gas.
- 18- Stroke limiting clamp.
- 21- Air output 1/4 gas.
- 22- Flexible feed hose.

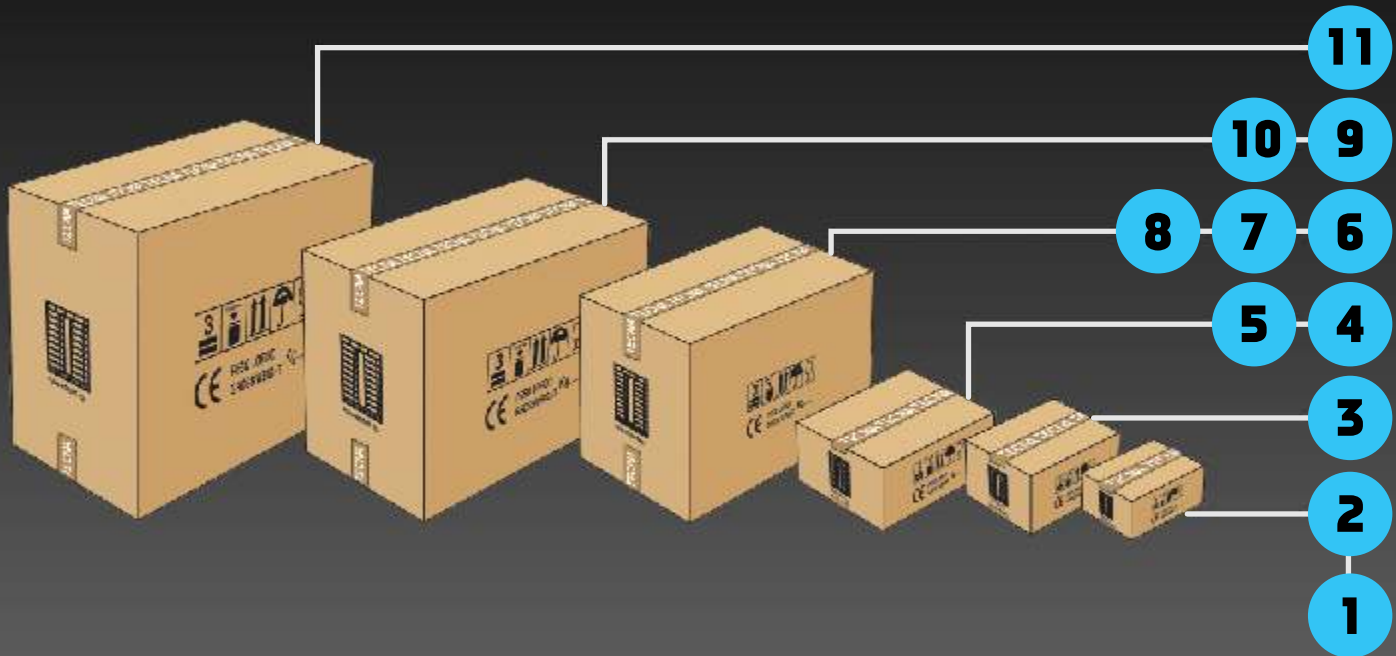
	9200	9201	9202	9203
Capacity	0,4÷0,8	0,75÷1,5	1,2÷2,5	3÷5
Weight	1,35	1,35	1,35	1,35
Stroke	1350 mm			900 mm
Hose	Polyurethane			
Body	Aluminium			

TECHNICAL BALANCERS

	1	2	3	4	5	6	8	11	11	
kg	0,2+3	0,4+3	1+8	2+14	2+10	4+25	10+105	15+180	15+180	Capacity
mm	1600	1600	2000	2500	2500	2000	2000	2500	3000	Stroke
	●									Rugged construction, Nylon body
		●	●	●	●					Rugged construction, cast aluminium body
						●	●	●	●	Ribbed and sealed monobloc construction in aluminium alloy
	●									Nylon rope
	●	●	●	●	●	●	●	●	●	Stainless steel rope
	●	●	●	●	●					Adjustable capacity
						●	●	●	●	Adjustable capacity by means of a worm screw
	●	●	●	●	●	●	●	●	●	Auxiliary safety suspension
			●	●	●	●	●	●	●	Safety device against load dropping due to the spring breakage (>3kg)
							●	●	●	Centrifugal safety device
						●	●	●	●	Upper rotary suspension with safety hook
						●	●	●	●	Locking device to block the load at any height
	●	●	●	●	●	●	●	●	●	Adjustable stroke limiting device
						●	●	●	●	Taper drum rotating on ball bearings
	●	●	●	●	●	●	●	●	●	Cable guide in antifriction material
						●	●	●	●	Rotary upper hook with ball bearing
								●	●	Lining up upper hook
								●	●	Visible cable for inspection
	●	●	●	●	●	●	●	●	●	Inert spring drum assembly
	●	●	●	●	●	●	●			Polyamides thimble

ON REQUEST OPTIONS B-RI-F

							●	●	●	B: Locking-unlocking device with control from the floor
							●	●	●	RI: Rotary and insulating device
						●				F: Brake device



	9300	93001	9301	9302	9303	9311	9312	9313	9320	9321	9322
kg	0,65	0,65	0,65	0,65	0,65	0,65	0,65	0,75	2,1	2,1	2,4
mm	160x120x60	160x120x60	160x120x60	160x120x60	160x120x60	160x120x60	160x120x60	160x120x60	200x155x90	200x155x90	200x155x90
●	1	1	1	1	1	2	2	2	3	3	3
	9323	9336	9337	9338	9339	9340	9346	9347	9348	9349	9350
kg	2,6	3,05	3,35	3,65	3,85	4,15	3,15	3,45	3,75	3,95	4,25
mm	200x155x90	260x205x95	260x205x95	260x205x95	260x205x95	260x205x95	260x205x95	260x205x95	260x205x95	260x205x95	260x205x95
●	3	4	4	4	4	4	5	5	5	5	5
	9354	9355	9356	9357	9358	9359	9361	9362	9363	9364	9365
kg	6,5	7	7	8	7,5	8,1	12,3	12,6	13,2	13,5	13,8
mm	420x205x165	420x205x165	420x205x165	420x205x165	420x205x165	420x205x165	455x270x280	455x270x280	455x270x280	455x270x280	455x270x280
●	6	6	6	6	6	6	7	7	7	7	7
	9366	9367	9368	9369	9370	9371	9401	9402	9403	9404	9405
kg	14,4	14,5	15,6	16,5	19	20	22,2	23	24	27,1	28,6
mm	455x270x280	455x270x280	455x270x280	455x270x280	455x270x280	455x270x280	600x320x330	600x320x330	600x320x330	600x320x330	600x320x330
●	7	7	7	7	8	8	9	9	9	9	9
	9411	9412	9413	9414	9422	9423	9424	9425	9426	9431	9432
kg	30	31	32	32	42,5	45,6	48,3	51,8	52,8	22,3	23,1
mm	600x320x330	600x320x330	600x320x330	600x320x330	600x320x420	600x320x420	600x320x420	600x320x420	600x320x420	600x320x330	600x320x330
●	9	9	9	9	11	11	11	11	11	9	9
	9433	9434	9435	9436	9441	9442	9443	9444	9451	9452	9453
kg	24,1	27	27,1	28,5	30,2	31,2	32,2	32,2	43,5	43,7	46,6
mm	600x320x330	600x320x330	600x320x330	600x320x330	600x320x330	600x320x330	600x320x330	600x320x330	600x320x420	600x320x420	600x320x420
●	9	10	10	10	10	10	10	10	11	11	11
	9454	9455	9456	9200	9201	9202	9203				
kg	49,4	52,8	53,8	1,45	1,45	1,45	1,45				
mm	600x320x420	600x320x420	600x320x420	225x160x110	600x320x420	600x320x420	600x320x420				
●	11	11	11	12	12	12	12				

TECNA S.p.A. Specifications subject to change without notice.